

Data Sheet

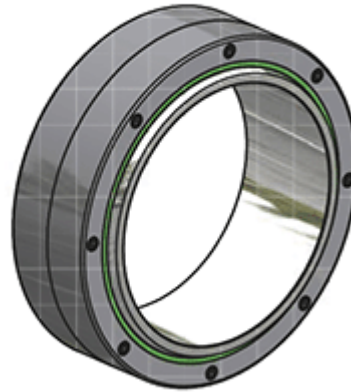
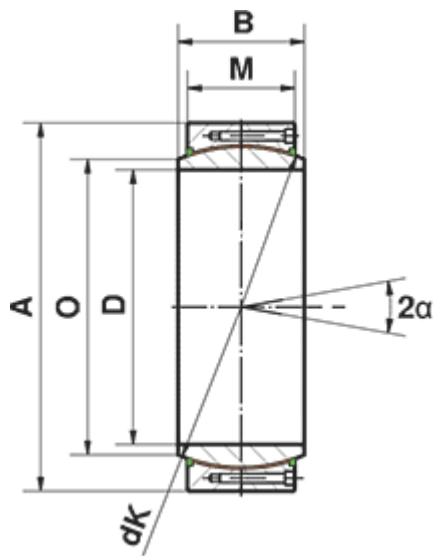


Article number: 03447320

Description: Fluro Heavy Duty Spherical Plain Bearing GE 320 CW
Hole \varnothing 320

Note: 320

Measures



= -	D	= 320
= -	dK	= 380
= -	Dynamic load C (kN)	= 15290
= -	M	= 135
= -	O	= 344.6
A	= 440	Static load C0 (kN) = 25480
a (degrees)	= 4	Weight (g) = 76
B	= 160	